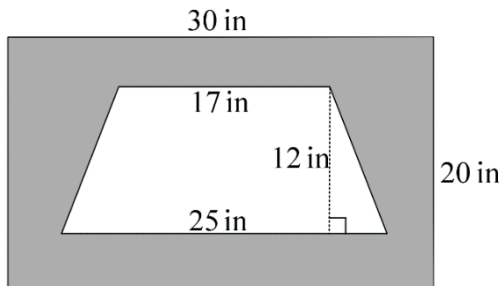


Name \_\_\_\_\_

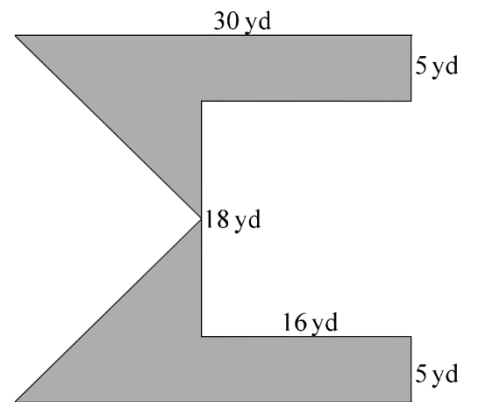
## Area of Composite Figures Worksheet #2

Find the area of the shaded region. If necessary, round your answer to the nearest tenth.

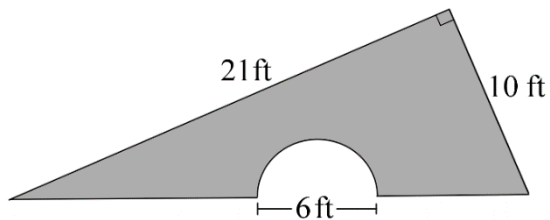
1.



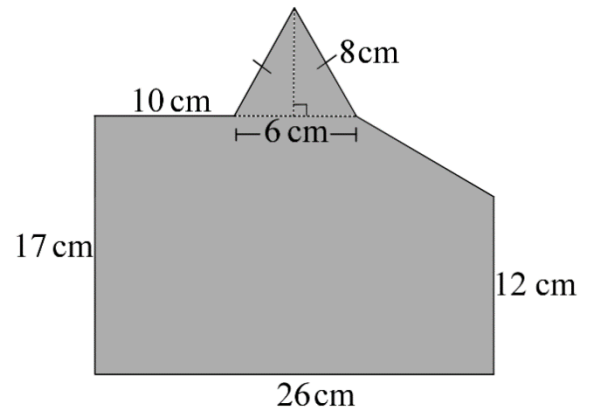
2.



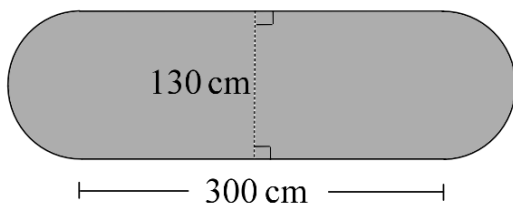
3.



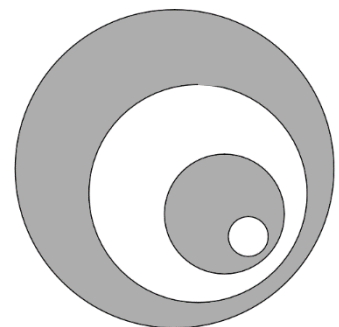
4.



5.



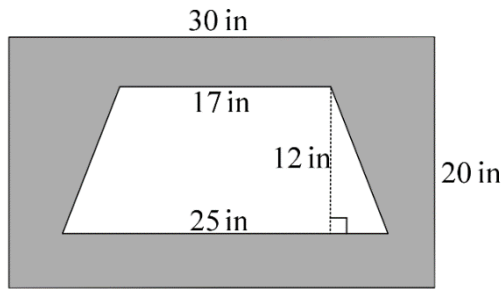
6. The diameter of the smallest circle is 2 cm. The diameter of each of the other circles is 4 cm larger than the previous circle.



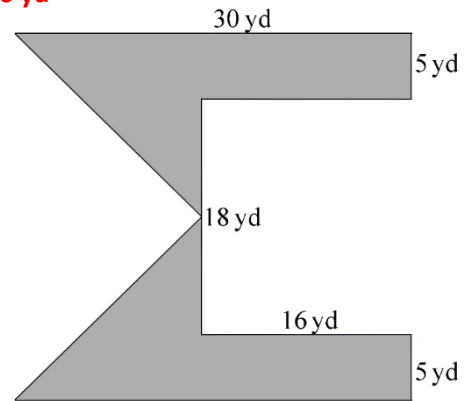
# Area of Composite Figures Worksheet #2 Answers

Find the area of the shaded region. If necessary, round your answer to the nearest tenth.

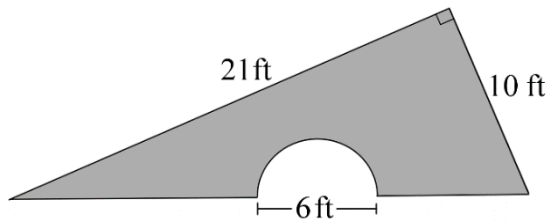
1. **348 in<sup>2</sup>**



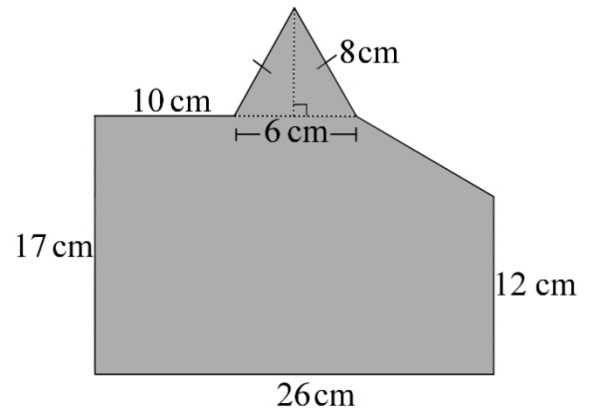
2. **356 yd<sup>2</sup>**



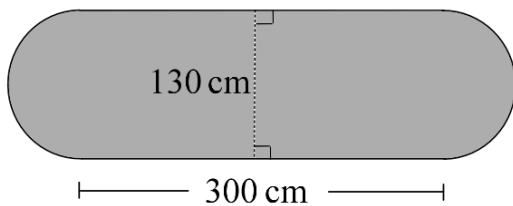
3. **181.7 ft<sup>2</sup>**



4. **439.2 cm<sup>2</sup>**



5. **52,273.2 cm<sup>2</sup>**



6. The diameter of the smallest circle is 2 cm. The diameter of each of the other circles is 4 cm larger than the previous circle.

**$32\pi$  cm<sup>2</sup>**

**$\approx 100.5$  cm<sup>2</sup>**

